

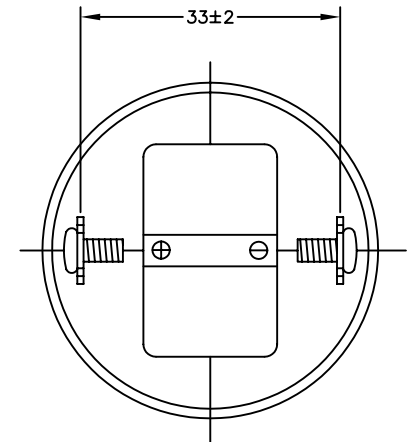
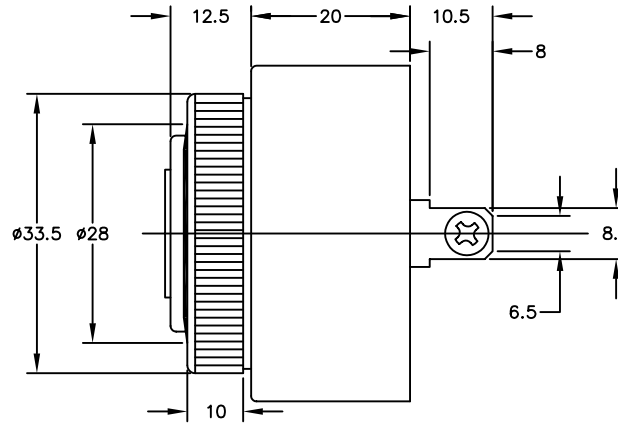
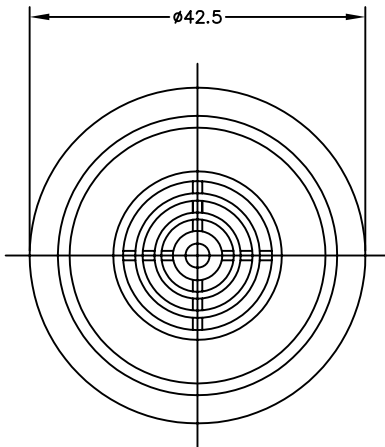
THIS DOCUMENT CONTAINS DATA PROPRIETARY TO PROJECTS UNLIMITED, INC. ANY USE OR REPRODUCTION, IN ANY FORM, WITHOUT PRIOR WRITTEN PERMISSION OF PROJECTS UNLIMITED, INC. IS PROHIBITED.  
© 2003, Projects Unlimited Inc.

### SPECIFICATIONS

PARAMETERS	VALUES	UNITS
RATED VOLTAGE	12	Vdc
OPERATING VOLTAGE RANGE	6 ~ 28	Vdc
RATED CURRENT (MAX)	6	mA
MINIMUM SPL @ 10 cm.	88	dBA
RESONANT FREQUENCY	2,800±500	Hz
TONE OR PULSE RATE	FAST PULSE	3 PULSE PER SECOND
OPERATING TEMPERATURE	-30 ~ +85	°C
STORAGE TEMPERATURE	-40 ~ +85	°C
HOUSING MATERIAL	NYLON	-
TERMINAL MATERIAL	Sn PLATED BRONZE	-
WEIGHT	39	grams

### REVISIONS

LTR	DESCRIPTION	DATE	APPROVED
-	RELEASED FROM ENGINEERING	6/21/06	



**NOTES:**

1. ALL DIMENSIONS ARE IN MILLIMETERS.
2. SPECIFICATION SUBJECT TO CHANGE OR WITHDRAWAL WITHOUT NOTICE.
3. THIS PART IS RoHS 2002/95/EC COMPLIANT.

THIS PART IS UL RECOGNIZED IN THE USA AND CANADA.

FILE NAME  
AI-4228-P-FP28-R.DWG

UNLESS OTHERWISE SPECIFIED: DIMENSIONS ARE IN MILLIMETERS, TOLERANCES ARE ±0.5 AND ANGLES ARE ±3°.

APPROVALS	DATE
DRAWN <i>J.D.</i>	6/06
CHECKED <i>E.P.</i>	6/06
APPROVED <i>B.R.</i>	6/06

DO NOT SCALE DRAWING

**projects® unlimited** Dayton, Ohio

## INDICATOR

SIZE **A** DRAWING NO. AI-4228-P-FP28-R

SCALE: N.T.S. SHEET 1 OF 1